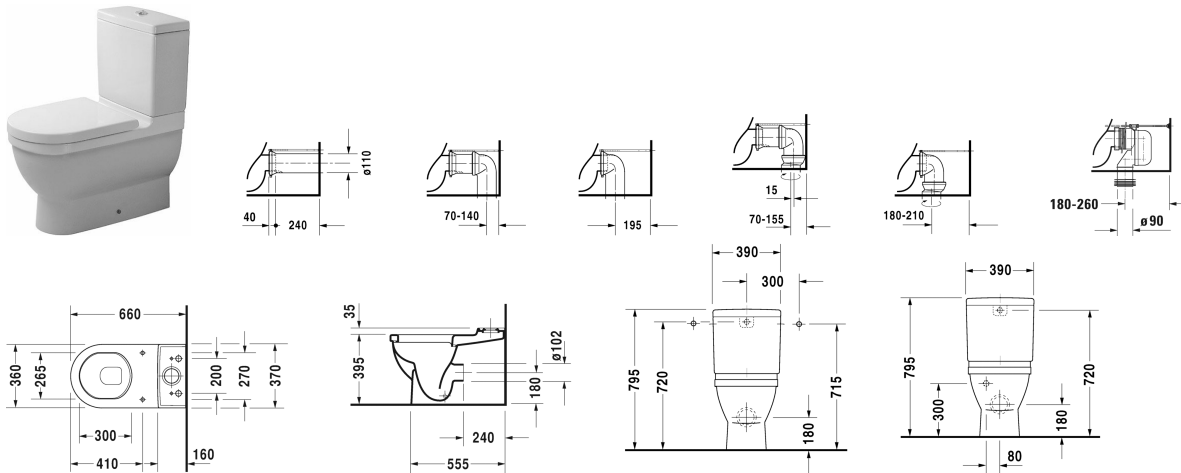


Starck 3 Toilet close-coupled # 012809..00 / 012809..64 / 012809..00 / 012809..64

| < 360 mm > |



Toilet close-coupled	Dimension	Weight	Order number
(without cistern), washdown model, fixings included			
Colors			
00 White Alpin 20 HygieneGlaze (an antibacterial ceramic glaze that provides almost indefinite effectiveness)			
Variant			
<ul style="list-style-type: none"> 6,0 l, Outlet for Vario connector set, for horizontal and vertical outlet, length adjustable from 70 - 210 mm, and vario connecting bend, vertical outlet from 180 - 260 mm, UWL class 2 	360 x 655 mm	31.300 kilogram	012809..00
<ul style="list-style-type: none"> 4,5 l, Outlet for Vario connector set, for horizontal and vertical outlet, length adjustable from 70 - 210 mm, and vario connecting bend, vertical outlet from 180 - 260 mm, UWL class 1 	360 x 655 mm	31.300 kilogram	012809..64
<ul style="list-style-type: none"> 6,0 l, Outlet for Vario connector set, for horizontal and vertical outlet, length adjustable from 70 - 210 mm, and vario connecting bend, vertical outlet from 180 - 260 mm, UWL class 2 	360 x 655 mm	31.300 kilogram	012809..00
<ul style="list-style-type: none"> 4,5 l, Outlet for Vario connector set, for horizontal and vertical outlet, length adjustable from 70 - 210 mm, and vario connecting bend, vertical outlet from 180 - 260 mm, UWL class 1 	360 x 655 mm	31.300 kilogram	012809..64
Sanitary ceramics with the special WonderGliss surface finish will remain clean and attractive-looking for a long time to come. When ordering WonderGliss please add a "1" as eleventh digit to the model number.			
Accessory for ceramics			
Cistern for bottom left supply	390 x 185 mm		092010

Starck 3 Toilet close-coupled # 012809..00 / 012809..64 / 012809..00 / 012809..64

|< 360 mm >|

Cistern with Dual Flush mechanism, chrome, for side supply	390 x 185 mm	13.000 kilogram	092000
Accessory			
Vario connecting bend for vertical outlet	Ø 100 mm	0.700 kilogram	899025
Vario connector set incl. excenter	Ø 110 mm	1.500 kilogram	001422
Suitable products			
Toilet seat and cover hinges stainless steel, without soft closure,			006381
Toilet seat and cover hinges stainless steel, removable, with soft closure,			006389

All drawings contain the necessary measurements which are subject to standard tolerances. They are stated in mm and are non-binding. Exact measurements, in particular for customised installation scenarios, can only be taken from the finished piece.