



## SCHEDA TECNICA - TECHNICAL SHEET

30/04/2021

Rev: 0

### Codice - Code:

**E89600**

Single lever mixer APICE-R  
(Regular) for wash basins

### Descrizione - Description:

Miscelatore monocomando lavabo APICE-R (Regular) con aeratore rettangolare 28x7mm. Scarico 1"1/4 click-clack e flessibili inox 3/8" F

APICE-R (regular) single lever basin mixer with 28x7mm rectangular aerator. 1"1/4 click-clack waste and 3/8" F stainless steel flexible hoses

APICE-R (Regular) Einhebel Waschtischmischer mit rechteckigem Strahlregler 28x7mm Ablaufventil 1"1/4 und 3/8" iG Schläuche aus Edelstahl

Mitigeur monocommande lavabo APICE-R (Regular) avec aérateur rectangulaire 28x7mm. Vidage 1"1/4 et flexibles en acier inoxydable 3/8" F

Mezclador monomando lavabo APICE-R (Regular) con aireador rectangular 28x7mm. Desagüe 1"1/4 y flexibles en acero inox 3/8" F

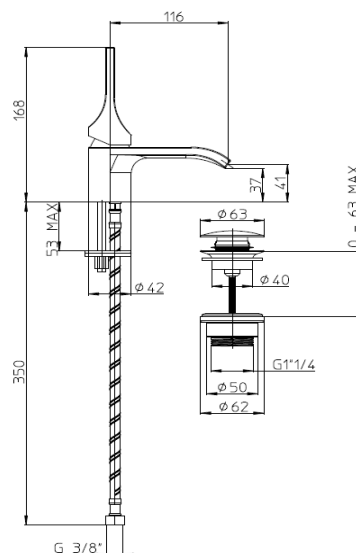
Смеситель монорычажный для раковины APICE-R (Regular) с прямоугольным аэратором 28x7мм. Донный клапан 1"1/4 и гибкая подводка из нерж. стали 3/8" F

### Tecnologia - Technology:

### Immagine Prodotto - Product Image

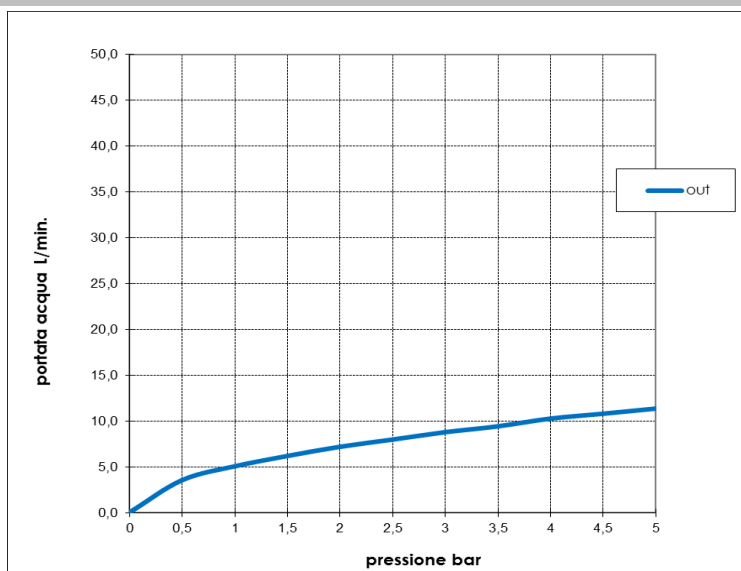


### Disegni - Drawings



### Grafico di portata - Flow rate diagram

	out
0	0,0
0,5	3,6
1	5,1
1,5	6,2
2	7,2
2,5	8,0
3	8,8
3,5	9,5
4	10,3
4,5	10,8
5	11,4
pressione <b>bar</b>	portata <b>L/min</b>



**Caratteristiche idrauliche - Hydraulic features**

	Pressione Pressure	Portata Flow rate	Solo per miscelatori termostatici Only for thermostatic mixers	
min	1 bar	<b>5,1 L/min</b>	Blocco di sicurezza Safety lock	--
max	5 bar	<b>11,4 L/min</b>	Temperatura acqua fredda Cold water temperature	--
Portata minima consigliata per buon funzionamento <i>Recommended minimum flow-rate for optimal performance</i>		--	Temperatura acqua calda Hot water temperature	--

**Materiali - Materials**

**Miscelatore:** Corpo in ottone  
**Manopola:** Zama

**Mixer:** Brass body  
**Handle:** Zama alloy

**Certificazioni - Certifications**

**Conformità - Conformity**

Mixer - EN817; Chrome plating - EN 248