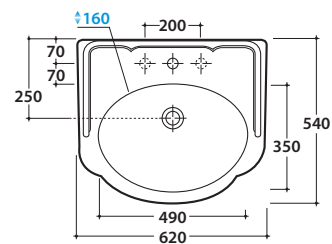


PAESTUM BASIN PA057BI

CE EN 14688:2015

GLOBO



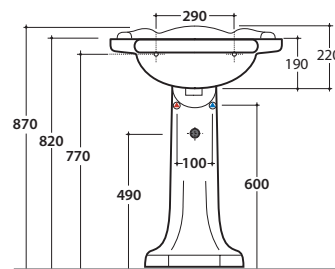
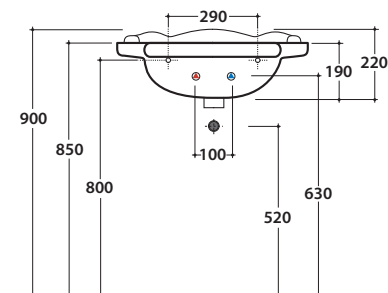
Ceramic antibacterial effect
BATAFORM®



Glazed product with
CERASLIDE®

Cod. **PA057BI**

Basin 62.54 h22 cm. Wall-hung installation or on floor mounted pedestal. Fixing kit included. Weight 19 Kg



Cod. **PA05BI**

Floor mounted pedestal. For basins PA057 and PA006. Weight 13 Kg



Cod. **FI012BI**

Push open valve drain with ceramic top for basins with overflow. Weight 0,5 Kg



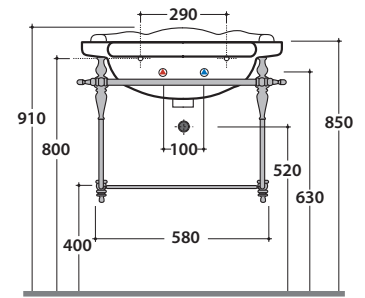
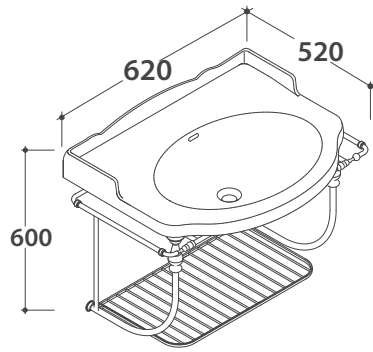
Cod. **FI012CR**

Push open chromed valve drain for basins with overflow. Weight 0,5 Kg

PAESTUM BASIN PA057BI

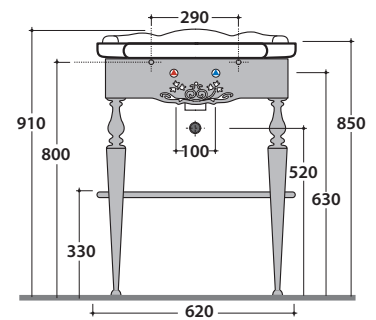
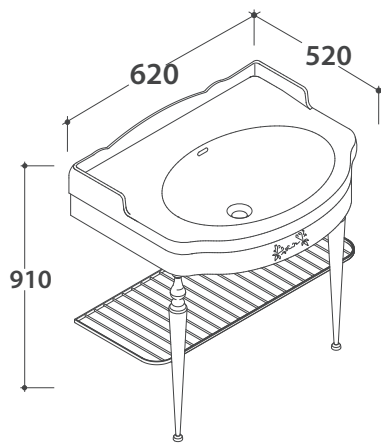
CE EN 14688:2015

GLOBO



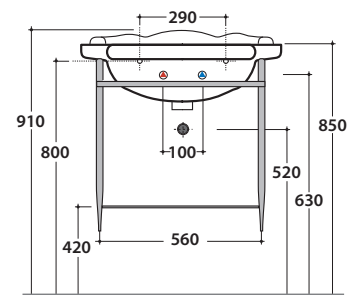
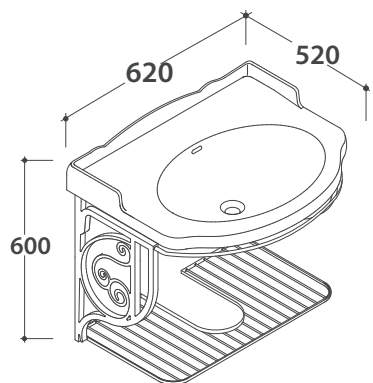
Cod. **PASC57**

Brass chromium-plated wall-hung structure 59.52 h48 cm, for basin PA057. Weight 8 Kg



Cod. **PATC57**

Brass chromium-plated floor-mounted structure 59.52 h82 cm, for basin PA057. Weight 13 Kg



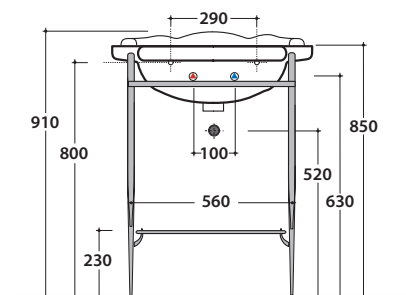
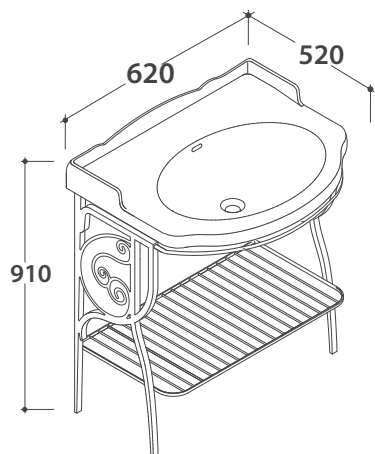
Cod. **PA128**

Old looking metal wall-hung structure 61.54 h47 cm, for basin PA057. Weight 6 Kg

PAESTUM BASIN PA057BI

CE EN 14688:2015

GLOBO



Cod. **PA127**

Old looking metal floor-mounted structure 61.54 h81 cm for basin PA057. Weight 7 Kg