

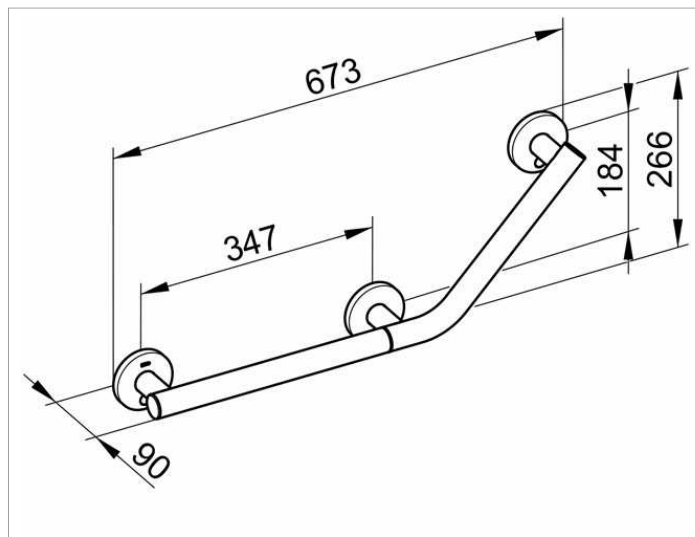
Plan Care

34907170401 Поручень угловой 135°

ИЗДЕЛИЕ



ЧЕРТЕЖ



поверхность

алюминий анодированный(E6 EV1)/хром

Габариты

673/266 mm

спецификации

KEUCO PLAN CARE Angel bar 135° 34907170401
 Aluminium silver anodized/chrome-plated
 in esthetic, practical and ergonomic Design
 right hand,
 diagonal Rail right hand side
 especially for WC- and Bath- place as support help up to 115 kg load
 capacity,
 anti-static,
 easy to clean
 Outside measurement 673/266 mm
 Pipe Diameter 33 mm,
 3 Rosettes Diameter 82 mm
 horizontal Base measurement 346 mm
 diagonal Base measurement 184 mm
 Projection 90 mm,
 Wall distance 57 mm
 The Support handle will be at 9 places discretely mounted
 The Handle is TUEV-GS tested

Included in delivery:
 3 x mounting set1 (Art. no. 34990000100)

Further mounting sets
 (depending on type of wall):
 3 x mounting set 4 (Art. no. 34990 000200), or
 3 x mounting set 7 (Art. no. 34993 000200)
 Please order additionally!