

Rebris S

Bath spout

Surfaces: **Chrome** Article Number: **72430000**



Description

product features

- connection type: G 1/2
- with escutcheon
- projection 200 mm
- wall-mounted
- maximum flow rate at 3 bar: 22 l/min
- spray type: normal spray

Technology



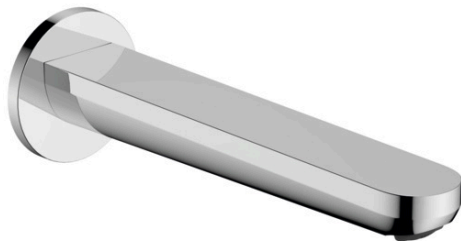
Design awards



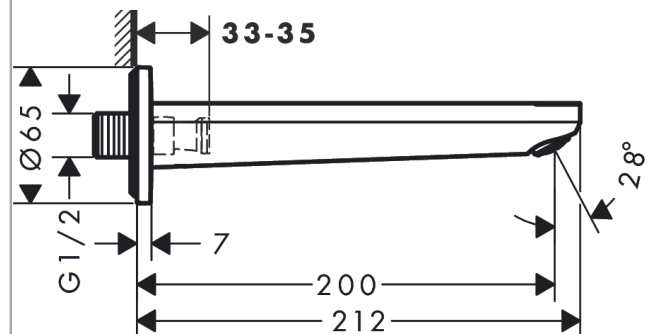
Certificates



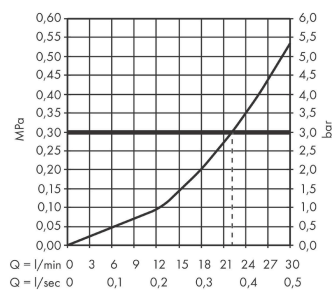
Product image



Scale drawing



Flowchart

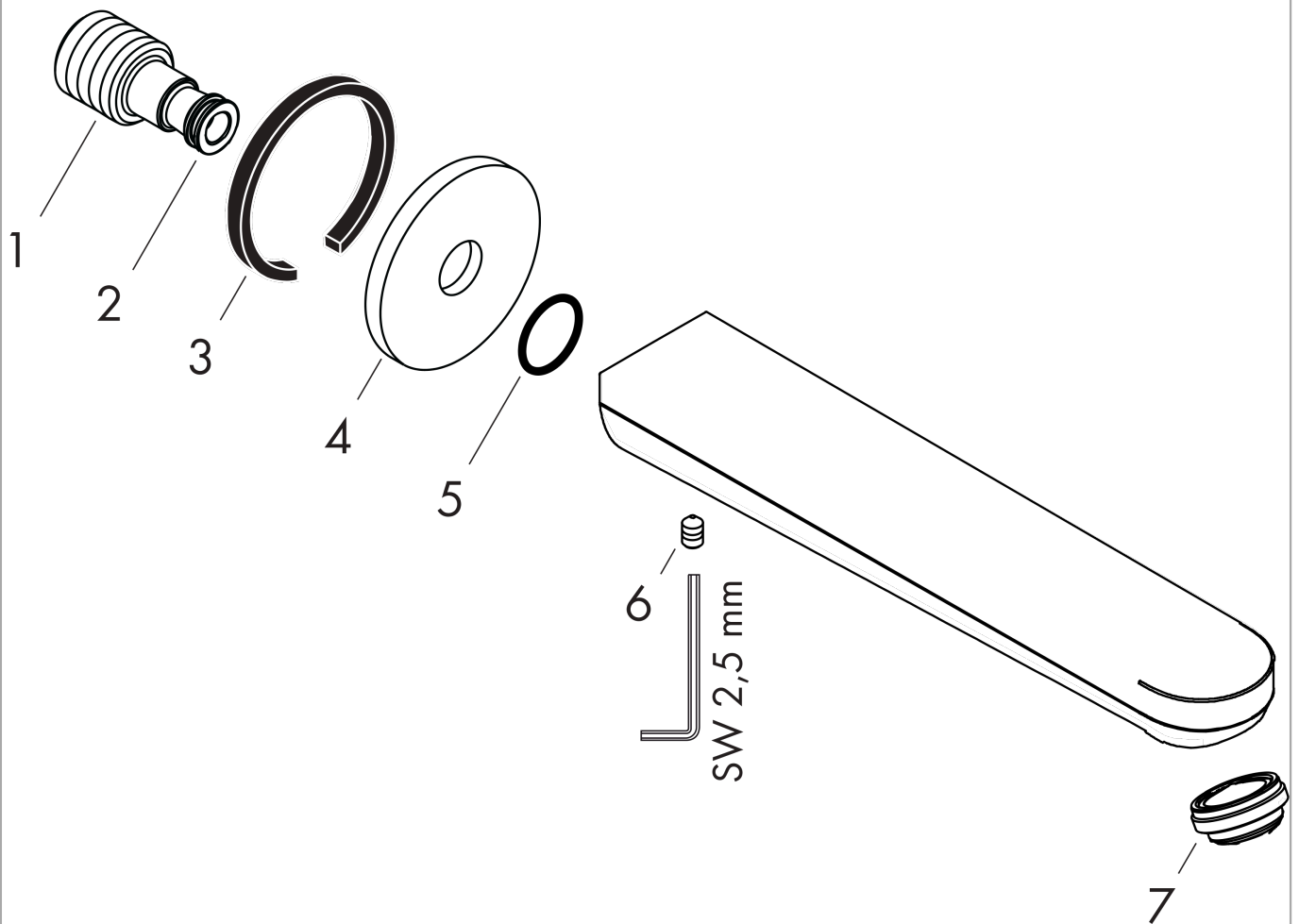


Rebris S
Bath spout
 Surfaces: **Chrome** Article Number: **72430000**



Exploded Drawing

Year of production: >06/22



Rebris S

Bath spout

Surfaces: **Chrome** Article Number: **72430000**



Spare part list

Year of production: >06/22

| Pos. | Description | Article Number | Price | PU |
|------|-----------------------------------|----------------|---------|----|
| 1 | connecting thread G $\frac{3}{4}$ | 92504000 | € 57,12 | 1 |
| 2 | O-ring 13x2 | 98128000 | € 3,21 | 1 |
| 3 | seal | 97530000 | € 5,24 | 1 |
| 4 | escutcheon Ø 65 mm | 92754000 | € 35,94 | 1 |
| 5 | O-ring 18x1,5 | 98231000 | € 3,21 | 1 |
| 6 | hollow set screw M5x6 | 97768000 | € 3,21 | 1 |
| 7 | aerator M24x1 (30 l/min) | 94656000 | € 5,24 | 1 |
| a | connecting thread G $\frac{1}{2}$ | 95393000 | € 35,94 | 1 |