

Cosmetic mirrors

17606019000 Cosmetic mirror

PRODUCT



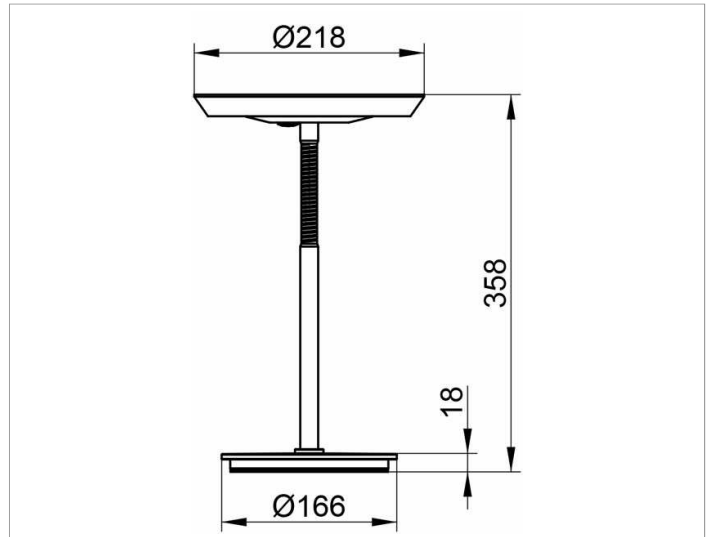
PRODUCT ATTRIBUTES

illuminated, table model, cable (1.70 m),
 one-sided mirror, concave,
 1 x 8 watt LED lighting, maintenance-free LED lighting
 magnification factor x 3
 EEK: A , 9 kWh/1000h

SURFACE

chrome-plated

DRAWING



SPECIFICATIONS

KEUCO BELLA VISTA cosmetic mirror
 17606019000, illuminated
 IP Rating 20 (Zone 3)
 highly polished chrome-plated finish,
 table model, cable (1,70 m),
 one-sided mirror, concave,
 1 x 8 Watt maintenance-free LED lighting,
 Magnification factor x 3,
 Diameter 218 mm, max. height 356 mm