

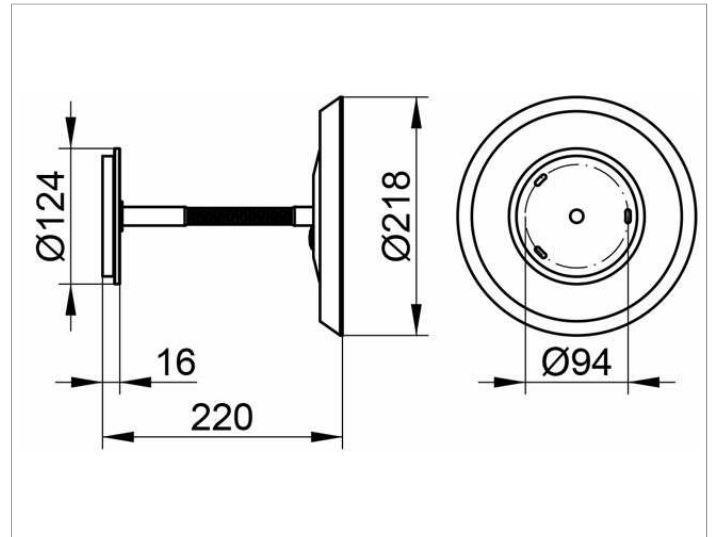
Cosmetic mirrors

17605019000 Cosmetic mirror

PRODUCT



DRAWING



PRODUCT ATTRIBUTES

illuminated, wall mounted, mains voltage,
one-sided mirror, concave
1 x 8 watt maintenance-free LED lighting
magnification factor x 3
EEK: A , 9 kWh/1000h

SURFACE

chrome-plated

SPECIFICATIONS

KEUCO BELLA VISTA cosmetic mirror
17605019000,
IP Rating 20 (Zone 3)
illuminated
highly polished chrome-plated finish
wall mounted, mains voltage,
one-sided mirror, concave,
1 x 8 watt maintenance-free LED lighting
Magnification factor x 3,
diameter 218 mm, max. projection 220 mm
incl. corrosion-free mounting material